

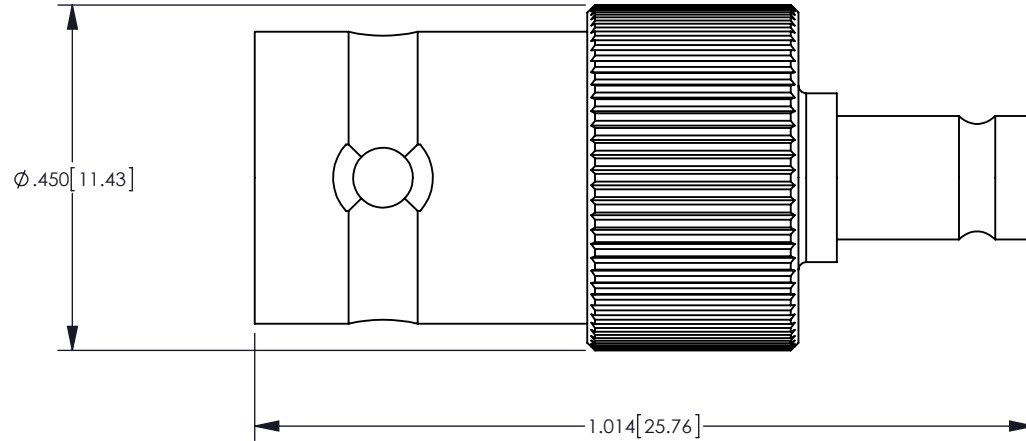
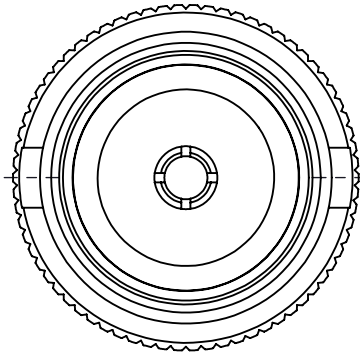
NOTES: UNLESS OTHERWISE SPECIFIED
 1. FOR GENERAL SERIES SPECIFICATIONS, SEE SDPRF-206.

2. MATERIAL SPECIFICATIONS:
 BODY: BRASS PER ASTM B16
 INSULATOR: TEFLON PER ASTM D1710
 CONTACT: BERYLLIUM COPPER, ASTM B196

3. FINISH SPECIFICATIONS:
 BODY: .000100MIN NICKEL PER AMS-QQ-N-290
 OVER COPPER FLASH PER ASTM B734 (ROHS)
 CONTACT: .000030 MIN. GOLD PER ASTM B488, OVER .000080 MIN NICKEL PER AMS-QQ-N-290 (ROHS)
 ALL OTHER METAL PARTS: .000050 MIN NICKEL PER AMS-QQ-N290 OVER
 .000050 MIN COPPER PER ASTM B734 (ROHS)

4. ELECTRICAL SPECIFICATIONS:
 IMPEDANCE: 75 OHMS
 FREQUENCY RANGE: DC TO 3 GHz
 RETURN LOSS: 25 dB MIN

REV	DESCRIPTION	BY DATE	APPD
A	RELEASED DRAWING PER ER041905	COL 08/08/11	DCam



CATALOG P/N: 206G-034-00001N

PER ASME Y14.5M-1994 UNLESS OTHERWISE SPECIFIED: DIMENSIONS ARE IN INCHES [MM] TOLERANCES: DECIMAL: .XX [X.X] ± .01 [0.3] .XXX [X.XX] ± .005 [0.13] .XXXX [X.XXX] ± .0005 [0.013] ANGLES: ± 2° SCALE: X:X				 by WINCHESTER <small>ELECTRONICS</small> Winchester Electronics Corporation 62 Barnes Industrial Road North Wallingford, Connecticut 06492	
CUSTOMER SALES DRAWING			THIRD ANGLE 	BNC FEMALE TO 1.0/2.3 FEMALE ADAPTOR(ROHS)	
DRAWN	DATE	APPROVED	DATE	A	SD206G-034-00001N
COL	08/08/11	DCam	08/15/11		
APPROVED	DATE	APPROVED	DATE	SHT	OF
XXX	XX/XX/XX	XXX	XX/XX/XX	1	1
				REV	A